

**Aprilaire**<sup>®</sup>

# Air Cleaners

Product Guide

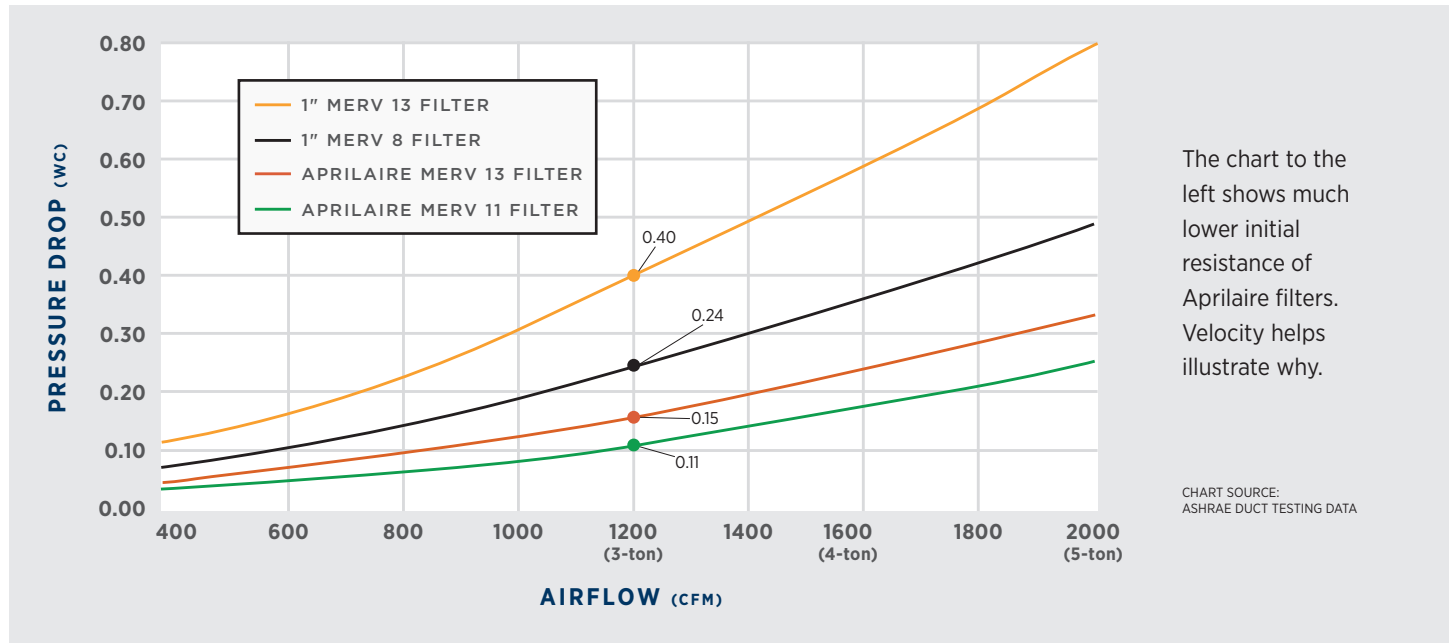


Aprilaire Air Cleaners  
for Every System

One inch filters cause a variety of equipment problems. Because of their high static pressure and low dust holding capacity, they require frequent change outs. Often, this does not happen with adequate frequency, resulting in frozen or dirty coils and inefficient equipment performance.

**Why include an Aprilaire air cleaner on every system? The FACTS:**

**1. STATIC PRESSURE: AIRFLOW VS. RESISTANCE** (20 X 25 NOMINAL FILTER)



The chart to the left shows much lower initial resistance of Aprilaire filters. Velocity helps illustrate why.

CHART SOURCE: ASHRAE DUCT TESTING DATA

**2. LOW VELOCITY REDUCES RESISTANCE**

- + Velocity is the speed at which air moves through a filter
- + The larger the media area the lower the velocity
- + The lower the velocity, the lower the resistance, the better the air flow

Just like holding back water flow from a hose to increase pressure and create more velocity to the stream of water, restrictive undersized filters add pressure to HVAC systems.

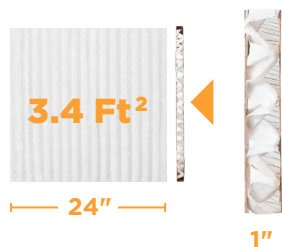
The pleats on an Aprilaire filter create more surface area to lower resistance and velocity for much better air flow and increased system performance.



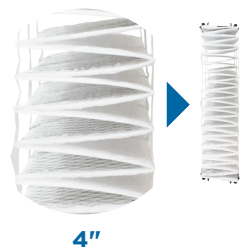
Velocity (and pressure) increase as area of flow decreases



**1" FILTER**  
(1 TO 3 MONTHS)



**APRILAIRE MODEL 213**  
(12 MONTHS)



**Over 9x**  
MORE FILTER AREA  
for lower static pressure & longer filter life

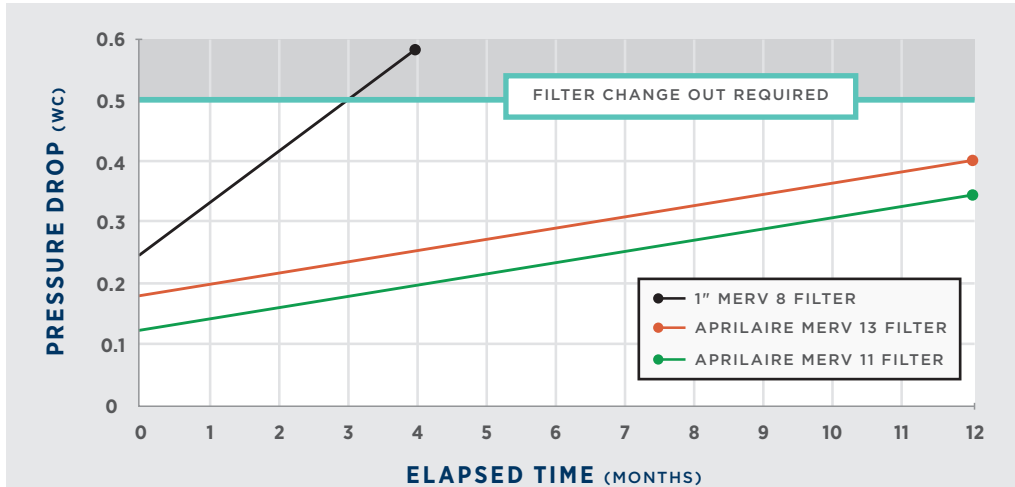


\*Area of a 20" x 25"

## Include An Aprilaire Air Cleaner on Every System

1. Reduce Profit-Robbing Callbacks
2. Low System Static
3. Longer Filter Life
4. Traps More Particles
5. Low Bypass

### 3. PRESSURE DROP OVER TIME (3-TON SYSTEM)



Aprilaire filters, with over nine times the surface area, have extremely low initial resistance and high dust holding capacity, allowing them to work for 12 months without being overly restrictive. This helps maintain proper airflow, reducing potential call backs.

### 4. PARTICLE SIZE EFFICIENCY % ASHRAE MIN. REQUIRED

FILTER TYPE	0.3-1 µm (micron)	1-3 µm (micron)	3-10 µm (micron)
MERV 8	-	-	70
MERV 11 (ASHRAE MIN.)	20	65	85
APRILAIRE MERV 11	37	67	92
APRILAIRE MERV 13	63	88	93

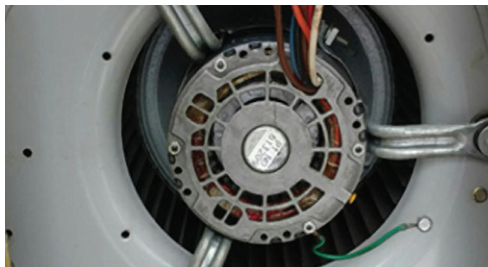
This chart shows Aprilaire filters perform well above ASHRAE minimum standards.

#### BASIC 1" FILTER



A dirty, inefficient blower caused by air bypass from a 1" filter.

#### APRILAIRE FILTER



Actual 22 year old blower protected by Aprilaire filter.  
COURTESY OF ROB PETERS, PETERS REFRIGERATION

As the leader in IAQ and whole-home filtration, Aprilaire offers homeowners and installers peace-of-mind and assurance that all aspects of our filters come together to provide the best air cleaner on the market today.



#### PURE FIT PROMISE

Genuine Aprilaire replacement filters are made to fit perfectly into our air cleaner cabinets.



#### SELF-SEAL FILTER

Patented technology reduces the amount of air bypassing the filter by creating a seal. Eliminating the need for cardboard filter frames means no dirty air passes around the filter.



#### INTERLOCK RAILS

The filter slides securely onto our patented rail system, assuring optimal performance —no plastic or metal reinforcements necessary.

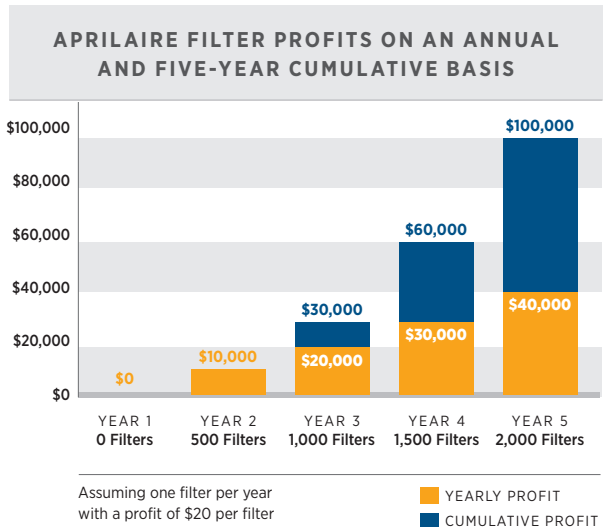


#### CLEAN-COIL GUARANTEE

If an AC coil protected by an Aprilaire filter requires cleaning within 10 years of install, we will pay \$100 toward that service.

# Growing your business with Aprilaire

In addition to the system protection and improved indoor air quality that comes with adding an Aprilaire air cleaner on every job, **annual filter replacement with system check-ups and service agreements** earn you additional revenue. The addition of MERV 16 Allergy & Asthma and MERV 13 Odor Reduction filters to our lineup gives you even more replacement filter options to offer your customers.



Aprilaire offers upgrade rail kits that fit into our older Aprilaire and Space-Gard cabinets (Models 2200 and 2400). We also offer competitive upgrade rails that fit into a variety of air cleaners made by other manufacturers.\* Both types of rails allow you to use the same high-performance filters that fit into the air cleaners we offer today. This means you can earn even more revenue from Aprilaire replacement filters on every air cleaner you've installed—past, present and future.

*\*See page 8 for a complete list of model numbers and compatible air cleaners.*

If you're serious about the need for putting an Aprilaire air cleaner on every job, we can help keep your name on top of your customers' minds by **imprinting our air cleaner doors with your logo and contact information**. Every time your customers need a new filter, they'll know exactly who to contact. Contact your District Sales Manager for more information.



# The right filter for every home

GENUINE **Aprilaire** AIR FILTER

**Allergy & Asthma**

REMOVES **99%** OF ASTHMA TRIGGERS

EFFICIENCY RATING **MERV 16**  
6-MONTH LIFE

STOCK NO. **216**

Fits Aprilaire Purifier Models: 1201 | 1601 | 2210 | 1226 | 12210 | 14200

PROTECTS YOUR HVAC SYSTEM

Pollen    Mold Spores    Bacteria    Pet Dander    Dust

Dust Mite    Tobacco Smoke    Pollution (Smog)    Virus

REMOVES UP TO 99% OF ASTHMA TRIGGERS

- + MERV 16 performance
- + Low resistance
- + Removes up to 99% of allergy & asthma triggers
- + Superior system protection
- + Up to 6-month filter life

GENUINE **Aprilaire** AIR FILTER

**Odor Reduction**

REMOVES PET & COOKING ODORS

EFFICIENCY RATING **MERV 13**  
6-MONTH LIFE

STOCK NO. **213** **CBN**

Fits Aprilaire Purifier Models: 1201 | 1601 | 2210 | 1226 | 12210 | 14200

PROTECTS YOUR HVAC SYSTEM

Pollen    Mold Spores    Bacteria    Pet Dander

Dust    Dust Mite    Odor

REMOVES PET & COOKING ODORS, VOCs & PARTICULATE

- + MERV 13 performance plus odor reduction
- + The most activated carbon added to any air filter
- + Reduces noticeable odors caused by pets, cooking and common household VOCs
- + Up to 6-month filter life

GENUINE **Aprilaire** AIR FILTER

**Healthy Home**

REMOVES MOST COMMON ALLERGENS

EFFICIENCY RATING **MERV 13**  
1-YEAR LIFE

STOCK NO. **213**

Fits Aprilaire Purifier Models: 1201 | 1601 | 2210 | 1226 | 12210 | 14200

PROTECTS YOUR HVAC SYSTEM

Pollen    Mold Spores    Bacteria    Pet Dander    Dust    Dust Mite

REMOVES MOST COMMON ALLERGENS

- + MERV 13 performance
- + Designed for homeowners with low-to-moderate allergy problems
- + Low resistance
- + Up to 1-year filter life

GENUINE **Aprilaire** AIR FILTER

**Clean Air**

VACUUM & DUST LESS OFTEN

EFFICIENCY RATING **MERV 11**  
1-YEAR LIFE

STOCK NO. **210**

Fits Aprilaire Purifier Models: 1201 | 1601 | 2210 | 1226 | 12210 | 14200

PROTECTS YOUR HVAC SYSTEM

Pollen    Mold Spores    Bacteria    Pet Dander    Dust

VACUUM AND DUST LESS OFTEN

- + MERV 11 performance
- + Particulate removal, system protection and static pressure superior to 1" filters
- + Vacuum and dust less often
- + Up to 1-year filter life



# Features and benefits



## 2000 Series with Allergy & Asthma MERV 16 filters

- + Offers the best performance in terms of particulate removal, system protection and relief for allergy and asthma sufferers
- + Model 2516 air cleaner offers the lowest resistance with a MERV 16 filter in the industry designed for higher tonnage systems
- + Also compatible with our Odor Reduction, MERV 13 and MERV 11 filters
- + Minimal maintenance required—simply replace filters once every 6 months or more
- + 216 and 416 filters not recommended for use with 5-ton systems
- + Made of corrosion-resistant heavy-gauge pre-painted steel
- + Load rated up to 400 lbs.
- + UL Listed



## 2000 Series with Healthy Home MERV 13 filters

- + Also compatible with MERV 16, Odor Reduction, or MERV 11 filters
- + Minimal maintenance required—simply replace filter annually
- + Made of corrosion-resistant heavy-gauge pre-painted steel
- + Low resistance
- + Load rated up to 400 lbs.
- + UL Listed



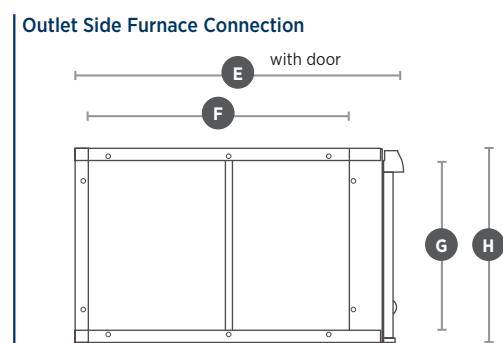
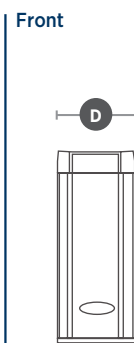
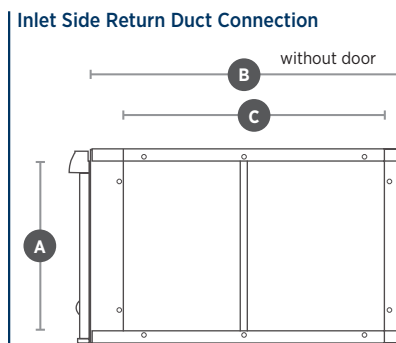
## 1000 Series with Clean Air MERV 11 filters

- + Can be upgraded to MERV 16, Odor Reduction, or MERV 13 filter with simple filter change
- + Minimal maintenance required—simply replace filter annually
- + Model 1510 is designed for low static pressure on higher tonnage residential HVAC installations including geothermal systems, eliminating the need for multiple air cleaners on one system
- + Made of corrosion-resistant heavy-gauge galvanized steel
- + Load rated up to 400 lbs.
- + UL Listed


# Cabinet specifications



Air Cleaner Series	16x20	20x25	20x20	16x25	31x28	25x20
<b>1000 SERIES</b> Ships with MERV 11	1110	1210	1310	1410	1510	1910
<b>2000 SERIES</b> Ships with MERV 13	-	2210	2310	2410	-	-
<b>2000 SERIES</b> Ships with MERV 16	-	2216	-	2416	2516	-



Dim.	Description	16x20	20x25	20x20	16x25	31x28	25x20
<b>A</b>	Inlet Opening Height	15 <sup>1</sup> / <sub>16</sub> " (392mm)	19 <sup>3</sup> / <sub>4</sub> " (502mm)	18 <sup>1</sup> / <sub>16</sub> " (459mm)	15 <sup>1</sup> / <sub>16</sub> " (392mm)	28 <sup>23</sup> / <sub>32</sub> " (729mm)	22 <sup>3</sup> / <sub>4</sub> " (578mm)
<b>B</b>	Outer Housing Depth without Door	20 <sup>1</sup> / <sub>16</sub> " (510mm)	25 <sup>3</sup> / <sub>8</sub> " (645mm)	20 <sup>1</sup> / <sub>16</sub> " (510mm)	28 <sup>1</sup> / <sub>16</sub> " (713mm)	28 <sup>1</sup> / <sub>16</sub> " (713mm)	20 <sup>1</sup> / <sub>16</sub> " (510mm)
<b>C</b>	Inlet Opening Width	17 <sup>3</sup> / <sub>8</sub> " (441mm)	21 <sup>1</sup> / <sub>16</sub> " (538mm)	15 <sup>7</sup> / <sub>8</sub> " (403mm)	23 <sup>7</sup> / <sub>8</sub> " (606mm)	23 <sup>7</sup> / <sub>8</sub> " (606mm)	15 <sup>7</sup> / <sub>8</sub> " (403mm)
<b>D</b>	Unit Width	6 <sup>3</sup> / <sub>4</sub> " (171mm)	6 <sup>3</sup> / <sub>4</sub> " (171mm)	6 <sup>3</sup> / <sub>4</sub> " (171mm)	6 <sup>3</sup> / <sub>4</sub> " (171mm)	6 <sup>3</sup> / <sub>4</sub> " (171mm)	6 <sup>3</sup> / <sub>4</sub> " (171mm)
<b>E</b>	Outer Housing Depth with Door	22 <sup>1</sup> / <sub>16</sub> " (560mm)	27 <sup>3</sup> / <sub>8</sub> " (695mm)	22 <sup>1</sup> / <sub>16</sub> " (560mm)	30 <sup>1</sup> / <sub>16</sub> " (764mm)	30 <sup>1</sup> / <sub>16</sub> " (764mm)	22 <sup>1</sup> / <sub>16</sub> " (560mm)
<b>F</b>	Outlet Opening Width	17 <sup>3</sup> / <sub>8</sub> " (441mm)	21 <sup>3</sup> / <sub>16</sub> " (538mm)	15 <sup>7</sup> / <sub>8</sub> " (403mm)	23 <sup>7</sup> / <sub>8</sub> " (606mm)	23 <sup>7</sup> / <sub>8</sub> " (606mm)	15 <sup>7</sup> / <sub>8</sub> " (403mm)
<b>G</b>	Outlet Opening Height	15 <sup>1</sup> / <sub>16</sub> " (392mm)	19 <sup>3</sup> / <sub>4</sub> " (502mm)	18 <sup>1</sup> / <sub>16</sub> " (459mm)	15 <sup>1</sup> / <sub>16</sub> " (392mm)	28 <sup>23</sup> / <sub>32</sub> " (729mm)	22 <sup>3</sup> / <sub>4</sub> " (578mm)
<b>H</b>	Unit Height	17 <sup>3</sup> / <sub>4</sub> " (451mm)	22 <sup>1</sup> / <sub>16</sub> " (560mm)	20 <sup>3</sup> / <sub>8</sub> " (518mm)	17 <sup>3</sup> / <sub>4</sub> " (451mm)	31" (787mm)	25 <sup>1</sup> / <sub>16</sub> " (637mm)

Normal Size (in inches)	Air Cleaner Series		EASY INSTALL* Ships with MERV 11		FILTER GRILLE** Ships with MERV 11	Replacement Media	
	16x25*		1610		16x25**	1625FG11	610
	20x25*		1620		20x25**	1625FG13	613
					2025FG11	810	
					2025FG13	813	

\*See full dimensions and list of compatible filter models on page 11 \*\*See full dimensions on page 10

# Filter specifications



Filter Series	16x20	20x25	20x20	16x25	31x28	25x20
<b>CLEAN AIR MERV 11</b>	110	210	310	410	510	910
<b>HEALTHY HOME MERV 13</b>	113	213	313	413	513	913
<b>ODOR REDUCTION MERV 13</b>	-	213CBN	-	413CBN	513CBN	-
<b>ALLERGY &amp; ASTHMA MERV 16</b>	-	216	-	416	516	-

REMOVAL EFFICIENCY (Based on Particle Size)			
	0.3-1.0 Microns	1.0-3.0 Microns	3.0-10.0 Microns
<b>MERV 16</b>	95%	98%	99%
<b>MERV 13</b>	63%	88%	93%
<b>MERV 11</b>	37%	67%	92%
<b>MERV 10</b>	22%	56%	92%
<b>EAC (Model 5000)</b>	89%	95%	98%

Test Method - MERV 10-16 -ASHRAE 52.2.2012, EAP - AHRI 680-2009

REPLACEMENT FILTERS					
	Filter No.	Used with Aprilaire Air Cleaner Models	Nominal Size (in inches)	Static Pressure Drop (in. w.c.) @ 1200 CFM	Maximum Airflow Capacity (in CFM)
MERV 10	<b>201</b>	2200 Space-Gard*, 2200 Aprilaire*	20 x 25	0.12	2000
	<b>401</b>	2400 Space-Gard*, 2400 Aprilaire*	16 x 25	0.14	2000
EAC	<b>501</b>	5000	16 x 25	0.14	2000

\*Air cleaner models no longer available.



# Upgrade kit specifications



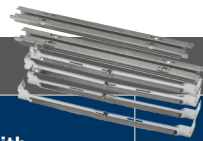
## UPGRADE KITS

Filter No.	Used With Space-Gard & Aprilaire Air Cleaner Models	Nominal Size (in inches)	Included Filter	Static Pressure Drop (in. w.c.) @ 1200 CFM	Maximum Airflow Capacity (in CFM)
1213*	2200	20 x 25	213	0.15	2000
1413**	2400	16 x 25	413	0.17	2000

MERV 13

\*1213 Upgrade Kit includes 4893 rails and Model 213 MERV 13 Healthy Home Filter

\*\*1413 Upgrade Kit includes 4894 rails and Model 413 MERV 13 Healthy Home Filter



## UPGRADE RAILS

Model No.	Compatible With	Nominal Size (in inches)	Uses Filter Model	Maximum Airflow Capacity (in CFM)
4893*	Aprilaire/Space-Gard 2200 or 2120	20x25	210, 213, 213CBN, 216	2000
4894**	Aprilaire/Space-Gard 2400 or 2140	16x25	410, 413, 413CBN, 416	2000
4897	Models by (but not limited to): Carrier® Honeywell® Lennox® Ultravation® General® Trion®	16x25	610	2000
		20x25	810	2000
4898	Models by (but not limited to): Carrier® Honeywell® Lennox® Ultravation® General® Trion®	16x20	110, 113	1200
		20x20	310, 313	1200

## Offer total IAQ Control to your customers

Installing an Aprilaire Wi-Fi thermostat gives homeowners complete control over their indoor air quality. The thermostat's Event-Based™ Air Purifying feature turns on the HVAC fan for a period of time so the air cleaner can remove airborne dust and particles after vacuuming, for example. That period can also be extended for situations in which more air purification is needed. And for greater control, homeowners can control the air purity, relative humidity† and temperature of their home all from the comfort of their mobile device.



### Model 8620W, Model 8910W Model 8920W

- + Universal 2H/2C or 4H/2C HP (8620W)
- + Universal 3H/3C or 4H/2C HP (8910W, 8920W)
- + Event-Based™ Air Purification
- + Humidity and ventilation
- + Two Part - Three-Wire design
- + Full-color Wi-Fi touchscreen (8920W)
- + Wi-Fi
- + Touchscreen display (8620W, 8910W)

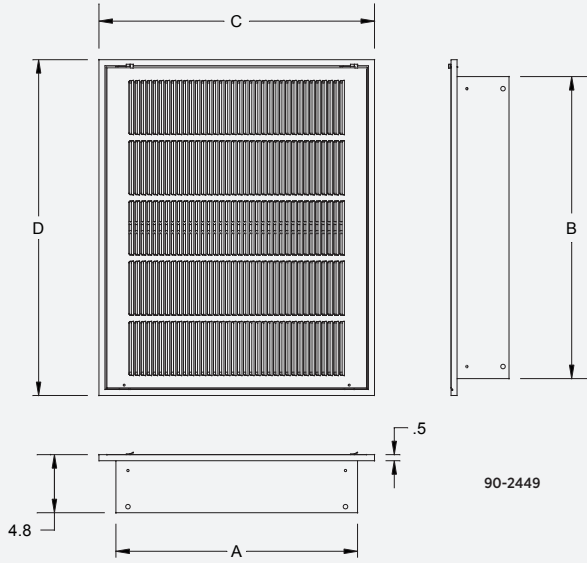
†Requires the installation of an Aprilaire humidifier and/or dehumidifier.

# Filter specifications

PRESSURE DROP CHART																	
Filter No.	Static Pressures at Variable CFM (in. w.c.)*																
	200	400	600	800	1000	1200	1400	1600	1800	2000	2200	2400	2600	2800	3000		
<b>MERV 16</b> ALLERGY & ASTHMA	216	-	0.06	0.09	0.13	0.17	0.23	0.29	0.36	-	-	-	-	-	-	-	
	416	-	0.07	0.10	0.13	0.18	0.24	0.31	-	-	-	-	-	-	-	-	
	516	-	0.04	0.05	0.07	0.09	0.10	0.13	0.15	0.18	0.21	0.24	0.27	0.31	-	-	
<b>MERV 13</b> HEALTHY HOME	113	0.03	0.07	0.11	0.16	0.22	0.29	-	-	-	-	-	-	-	-	-	
	213	0.02	0.04	0.06	0.09	0.12	0.15	0.19	0.23	0.27	0.31	-	-	-	-	-	
	313	0.03	0.05	0.09	0.13	0.17	0.23	-	-	-	-	-	-	-	-	-	
	413	0.02	0.05	0.07	0.10	0.14	0.17	0.22	0.26	0.31	0.37	-	-	-	-	-	
	513	0.01	0.02	0.04	0.05	0.05	0.07	0.08	0.10	0.11	0.13	0.15	0.17	0.18	0.20	0.23	
	613	0.02	0.05	0.07	0.10	0.14	0.17	0.22	0.26	0.31	0.37	-	-	-	-	-	
	813	0.02	0.04	0.06	0.09	0.12	0.15	0.19	0.23	0.27	0.31	-	-	-	-	-	
	913	-	0.04	0.07	0.10	0.13	0.17	0.22	0.25	0.30	0.35	-	-	-	-	-	
		213CBN	-	0.04	0.07	0.10	0.13	0.17	0.21	0.25	0.30	0.35	-	-	-	-	-
		413CBN	-	0.04	0.07	0.10	0.14	0.19	0.24	0.29	0.36	0.43	-	-	-	-	-
	513CBN	-	0.03	0.04	0.05	0.07	0.08	0.10	0.12	0.15	0.17	0.20	0.22	0.25	0.29	0.32	
<b>MERV 11</b> CLEAN AIR	110	0.02	0.05	0.06	0.10	0.14	0.20	-	-	-	-	-	-	-	-	-	
	210	0.02	0.03	0.04	0.06	0.08	0.11	0.13	0.16	0.19	0.22	-	-	-	-	-	
	310	0.02	0.04	0.06	0.10	0.14	0.19	-	-	-	-	-	-	-	-	-	
	410	0.02	0.03	0.05	0.07	0.09	0.12	0.15	0.19	0.22	0.27	-	-	-	-	-	
	510	0.02	0.02	0.03	0.04	0.04	0.05	0.06	0.07	0.09	0.10	0.12	0.14	0.15	0.17	0.19	
	610	0.02	0.03	0.05	0.07	0.09	0.12	0.15	0.19	0.22	0.27	-	-	-	-	-	
	810	0.02	0.03	0.04	0.06	0.08	0.11	0.13	0.16	0.19	0.22	-	-	-	-	-	
	910	-	0.03	0.05	0.07	0.09	0.12	0.15	0.18	0.22	0.27	-	-	-	-	-	
		201	0.02	0.04	0.05	0.08	0.10	0.12	0.15	0.18	0.21	0.25	-	-	-	-	-
		401	0.02	0.04	0.05	0.08	0.10	0.14	0.17	0.21	0.25	0.29	-	-	-	-	-
<b>EAP</b>	501	0.02	0.04	0.05	0.08	0.10	0.14	0.17	0.21	0.25	0.29	-	-	-	-	-	

\*Highest value shown is maximum recommended airflow capacity.

# 1625FG/2025FG FILTER GRILLE AIR CLEANERS



Above Ceiling Mount Configuration  
Left Vertical Wall Mount Configuration

The Aprilaire Filter Grille Air Cleaner provides high-efficiency filtration for any return grille application where a 1" or 2" filter is typically used. Our patented filter design delivers low system static and no bypass, reducing profit-robbing call backs.

Available in 16x25 and 20x25 models, the Filter Grille Air Cleaner comes complete with the frame, removable grille, filter locks and a MERV 11 or MERV 13 filter, dependent upon the model.

Dimensions	Description	MODEL	
		1625FG	2025FG
A	Inner Frame Width	16 <sup>1</sup> / <sub>16</sub> "	20 <sup>1</sup> / <sub>16</sub> "
B	Inner Frame Length	25 <sup>1</sup> / <sub>16</sub> "	25 <sup>1</sup> / <sub>16</sub> "
C	Outer Frame Width	18 <sup>15</sup> / <sub>16</sub> "	22 <sup>15</sup> / <sub>16</sub> "
D	Outer Frame Length	27 <sup>15</sup> / <sub>16</sub> "	27 <sup>15</sup> / <sub>16</sub> "

Model No.	Nominal Size (In Inches)	Filter Model	Filter Eff. (MERV)	Filtering Area (sq. ft.)	Shipping Weight
1625FG11	16 x 25	610	11	20.8	16 lbs.
1625FG13		613	13		
2025FG11	20 x 25	810	11	26.5	18 lbs.
2025FG13		813	13		

Filter Model	GRILLE + FILTER PRESSURE DROP (IN W.C.)*								
	400 CFM	600 CFM	800 CFM	1000 CFM	1200 CFM	1400 CFM	1600 CFM	1800 CFM	2000 CFM
610	.03"	.06"	.09"	.12"	.16"	.21"	.26"		
613	.05"	.08"	.12"	.17"	.21"	.28"	.33"		
810	.03"	.05"	.07"	.10"	.13"	.16"	.20"	.25"	.29"
813	.04"	.07"	.10"	.14"	.17"	.22"	.27"	.33"	.38"

\*Recommended grille face velocity is 300-450 fpm. Cells in white represent grille face velocities above 450 fpm, where there is potential for unwanted noises. To minimize risk of noise, use two filter grilles on systems over 3.5 tons.

## ▶ FEATURES

- + Self-Seal design
- + Interlocking rail system
- + Extremely low initial resistance
- + Larger filter surface area vs. 1"
- + 10 year clean coil guarantee
- + Filter upgrade available

## ▶ BENEFITS

- + Eliminates bypass
- + Perfect fit
- + Low system static, better protection
- + Fewer filter changes
- + Peace-of-mind protection
- + Efficiency choices:

- MERV 11
- MERV 13

# 1610/1620 EASY INSTALL WHOLE-HOME AIR CLEANER

## MODEL 1610 SPECIFICATIONS AND SIZING SUMMARY

Model	Nominal Size (in inches)	Shipping Weight	Replacement Filter	
			Ships With	Upgrade To
1610	16 x 25	31 lbs.	Model 410	Model 416, 413CBN, 413
1620	20 x 25	32.4 lbs.	Model 210	Model 216, 213CBN, 213



The Models 1610 and 1620 are designed for easy installation in upflow HVAC systems with right or left returns. They feature built-in ductwork for applications that require a 90° duct adapter and an 8-10" adjustable return opening.

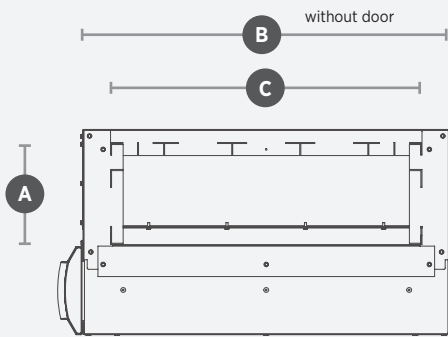
### ► FEATURES

- + Ships with MERV 11 filter
- + Can be upgraded to MERV 16, Odor Reduction, or MERV 13 filter with simple filter change
- + Easily converts to right or left side by reversing door and back plate
- + Includes metal tabs for securing the air cleaner frame to the furnace or air handler
- + Simple annual filter replacement
- + Made of corrosion-resistant heavy gauge pre-painted steel
- + Proprietary door design and Self-Seal® design virtually eliminates air bypass for optimal performance
- + UL classified filters
- + Five-year warranty on cabinet from date of installation

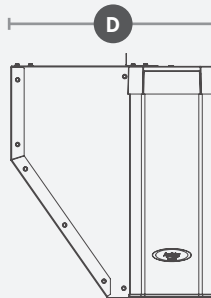
### ► BENEFITS

- + Reduces installation time — no need for field-formed transitions — requires little or no cold air return repositioning
- + Protects HVAC equipment from dust buildup
- + Protects equipment performance
- + Superior performance over one-inch panel filters and four-inch cartridge filters

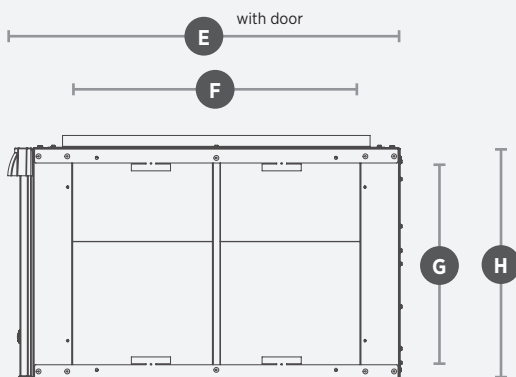
#### Inlet Return Duct Connection (Top View)



#### Front



#### Outlet Side Furnace Connection



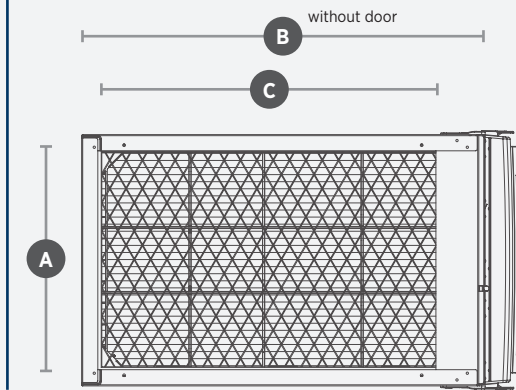
Dimension	Description	Model 1610	Model 1620
A	Inlet Opening Width	8 <sup>3</sup> / <sub>32</sub> " to 10 <sup>3</sup> / <sub>32</sub> " (206-257mm)	8 <sup>3</sup> / <sub>32</sub> " to 10 <sup>3</sup> / <sub>32</sub> " (206-257mm)
B	Outer Housing Depth without Door	28 <sup>3</sup> / <sub>16</sub> " (716mm)	25 <sup>3</sup> / <sub>8</sub> " (645mm)
C	Inlet Opening Depth	23 <sup>3</sup> / <sub>8</sub> " (606mm)	21 <sup>3</sup> / <sub>32</sub> " (536mm)
D	Unit Width	15 <sup>1</sup> / <sub>16</sub> " (398mm)	15 <sup>1</sup> / <sub>16</sub> " (398mm)
E	Outer Housing Depth with Door	30 <sup>3</sup> / <sub>16</sub> " (767mm)	27 <sup>3</sup> / <sub>8</sub> " (695mm)
F	Outlet Opening Width	22" (559mm)	19 <sup>3</sup> / <sub>16</sub> " (491mm)
G	Outlet Opening Height	15 <sup>1</sup> / <sub>2</sub> " (394mm)	19 <sup>3</sup> / <sub>4</sub> " (502mm)
H	Unit Height	17 <sup>13</sup> / <sub>16</sub> " (452mm)	22 <sup>1</sup> / <sub>8</sub> " (562mm)

# 5000 ELECTRONIC AIR CLEANER

## MODEL 5000 SPECIFICATIONS AND SIZING SUMMARY

Nominal Size (in inches)	Shipping Weight	Replacement Filter	Filtering Area
16 x 25	38 lbs.	Model 501	72.3 ft <sup>2</sup>

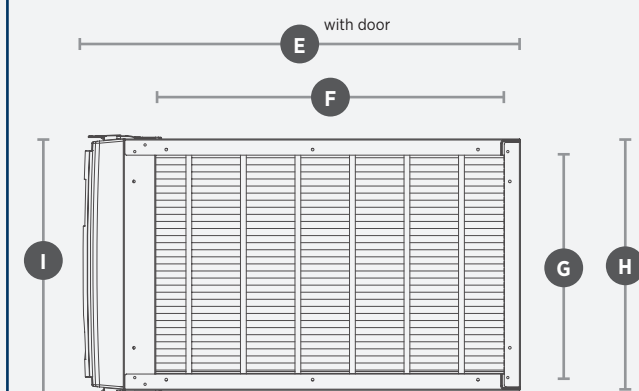
### Inlet Side Return Duct Connection



### Front



### Outlet Side Furnace Connection



Dimension	Description	Model 5000
A	Inlet Opening Height	15½" (394mm)
B	Outer Housing Depth without Door & Clips	28⅞" (714mm)
C	Inlet Opening Width	23⅞" (606mm)
D	Unit Width	12" (305mm)
E	Outer Housing Depth with Door & Clips	31" (787mm)
F	Outlet Opening Width	23⅞" (606mm)
G	Outlet Opening Height	15½" (394mm)
H	Unit Height at Back	17¾" (451mm)
I	Unit Height at Front	18¼" (464mm)



The Model 5000 greatly minimizes airborne contaminants that can aggravate allergies as well as asthma, cold and flu symptoms. Captures 89% of particles 0.3-1.0 micron in size and 98% of particles 3.0-10.0 microns in size.

Comes with Model 8476 Universal Programmable (4H/2C) Thermostat with Event-Based™ Air Purification.

## FEATURES

- + Silent operation — none of the “snapping” or “popping” that’s common with plate-type EACs
- + Minimal maintenance required — simply replace filter annually and wipe off internal components
- + Made of corrosion-resistant heavy gauge galvanized steel
- + UL listed cabinet
- + UL classified filters
- + Load rated up to 400 lbs.
- + Five-year warranty on cabinet from date of installation
- + Unit is equipped with six ft. grounded cord with plug
- + Consumes less than 50 watts with high voltage active

## BENEFITS

- + Captures 89% of particles 0.3-1.0 micron in size and 98% of particles 3.0-10.0 microns in size
- + Offers equipment protection from dust buildup
- + Protects equipment performance
- + Filter revenue — HVAC channel only
- + Superior performance over one-inch panel filters and four-inch cartridge filters

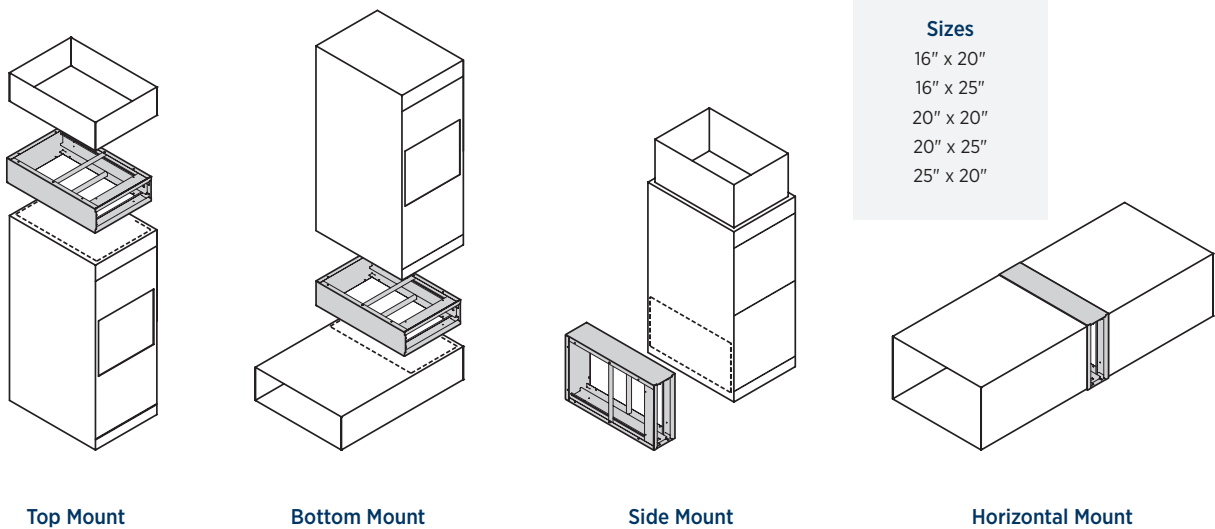
## ELECTRICAL SPECIFICATIONS

Voltage	120 VAC ± 15%
Frequency	60Hz
Current	0.3 A



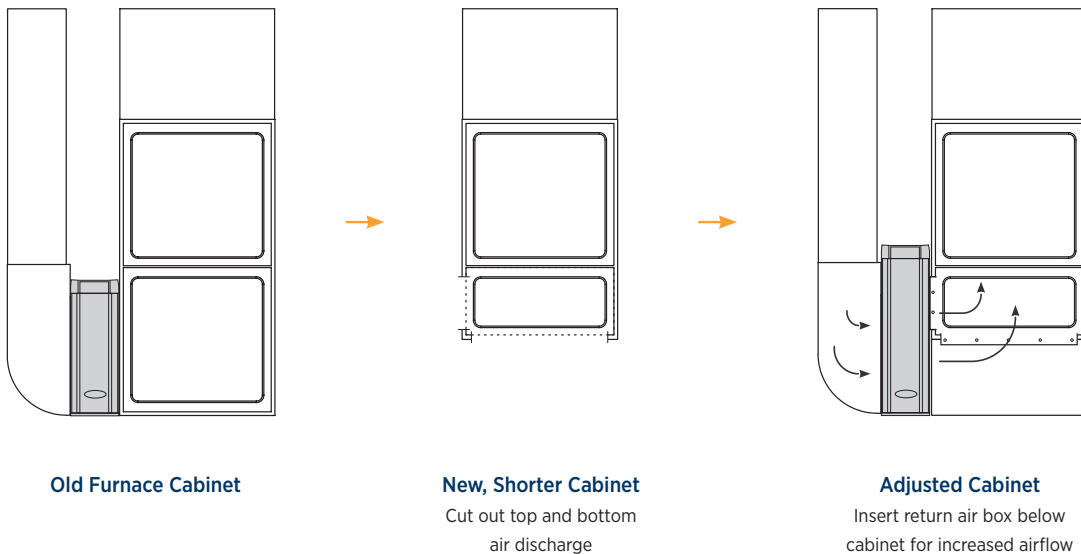
# Application guidance

Aprilaire's award-winning lineup of air cleaners are sized to fit the many different furnace and air handler dimensions available today. No matter if it's a downflow, upflow, or horizontal system, Aprilaire has the right sizes available to make your installations easier.



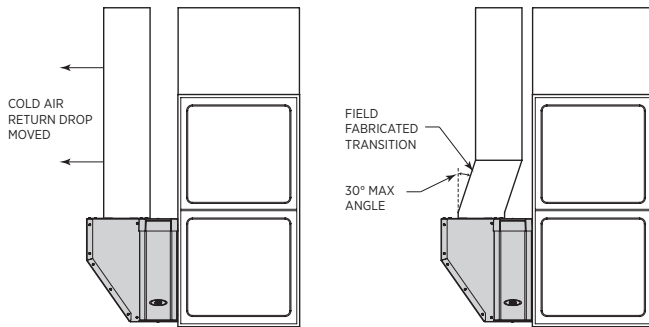
## It's all about airflow

Equipment cabinet sizes are getting smaller. Use the smaller size cabinet as an opportunity to increase airflow and ensure the best system protection by installing a Model 2516 cabinet with MERV 16 filter. The lower static pressure and higher removal efficiency will optimize the HVAC system for years to come.



# Application guidance

Contractors have done the math. Using the Model 1610/1620 with its integrated transition is a cost effective solution. There is no need to purchase a separate transition.

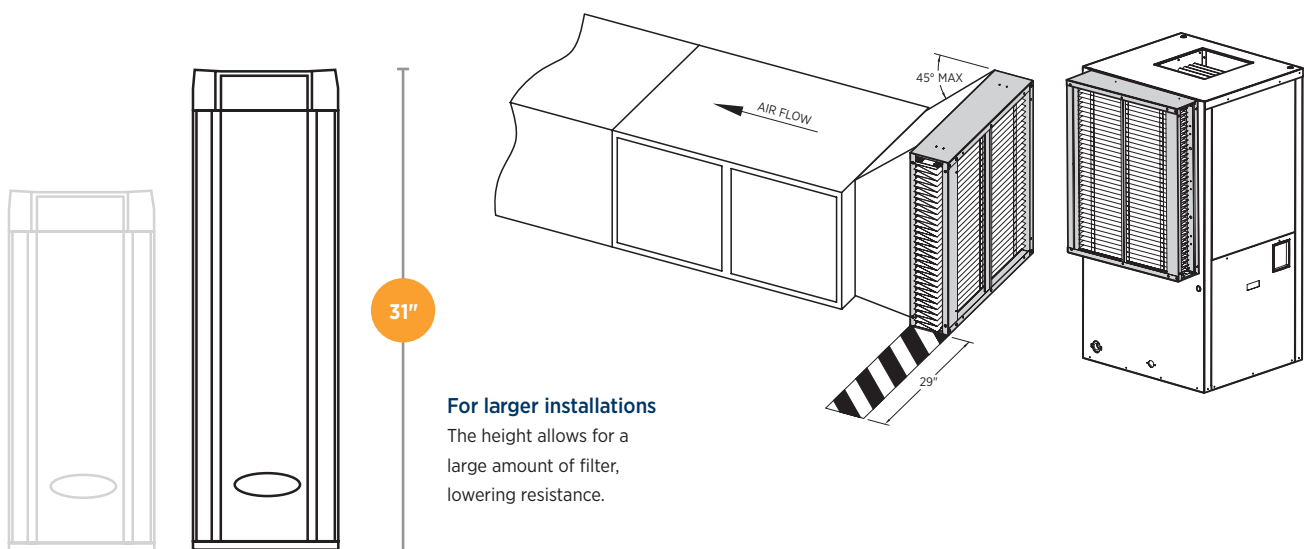


## ► BENEFITS

- + Minimizes distance from the air handler for tight installations
- + Perfect when return is close to air handler, when replacing 1" or 2" panel filter slots
- + Converts easily to right or left side
- + Unique air inlet tab adjusts to multiple duct sizes

## High tonnage and geothermal systems

The system pressures of these applications require very low resistance. Historically, contractors stack air cleaners. The Aprilaire Models 2516 and 1510 are specifically designed for these applications.



### For larger installations

The height allows for a large amount of filter, lowering resistance.

“ We’ve done the studies on air flow and 1” filters restrict air flow. Period. With homeowners spending that type of money on a system it’s important to keep it protected so we use Aprilaire filtration as a standard on every system. It’s great for us, it’s great for the customers and it’s the right thing to do. ”

**BRIAN ARLINGHAUS—ARLINGHAUS PLUMBING, KY**

“ We don’t use 1” filters. The Aprilaire 2210 is our standard filter because it protects the equipment and it’s better for the homeowner. I show the 10 year clean coil guarantee but after 20 years I can do a wipe test and I’m not going to come up with anything, as long as the homeowner keeps the genuine Aprilaire filter in that air cleaner. ”

**MARK FLOCK—FLOCK’S HEATING AND AC, WI**

“ An Aprilaire Media Air Cleaner goes on every system; Geo-Thermal, Electric, Gas, everything. It’s better for us and better for the homeowner. It’s part of the system. We explain why we put it on and no one has ever said no. Ever. ”

**RON SHAFER—SHAFER HEATING AND COOLING, OH**